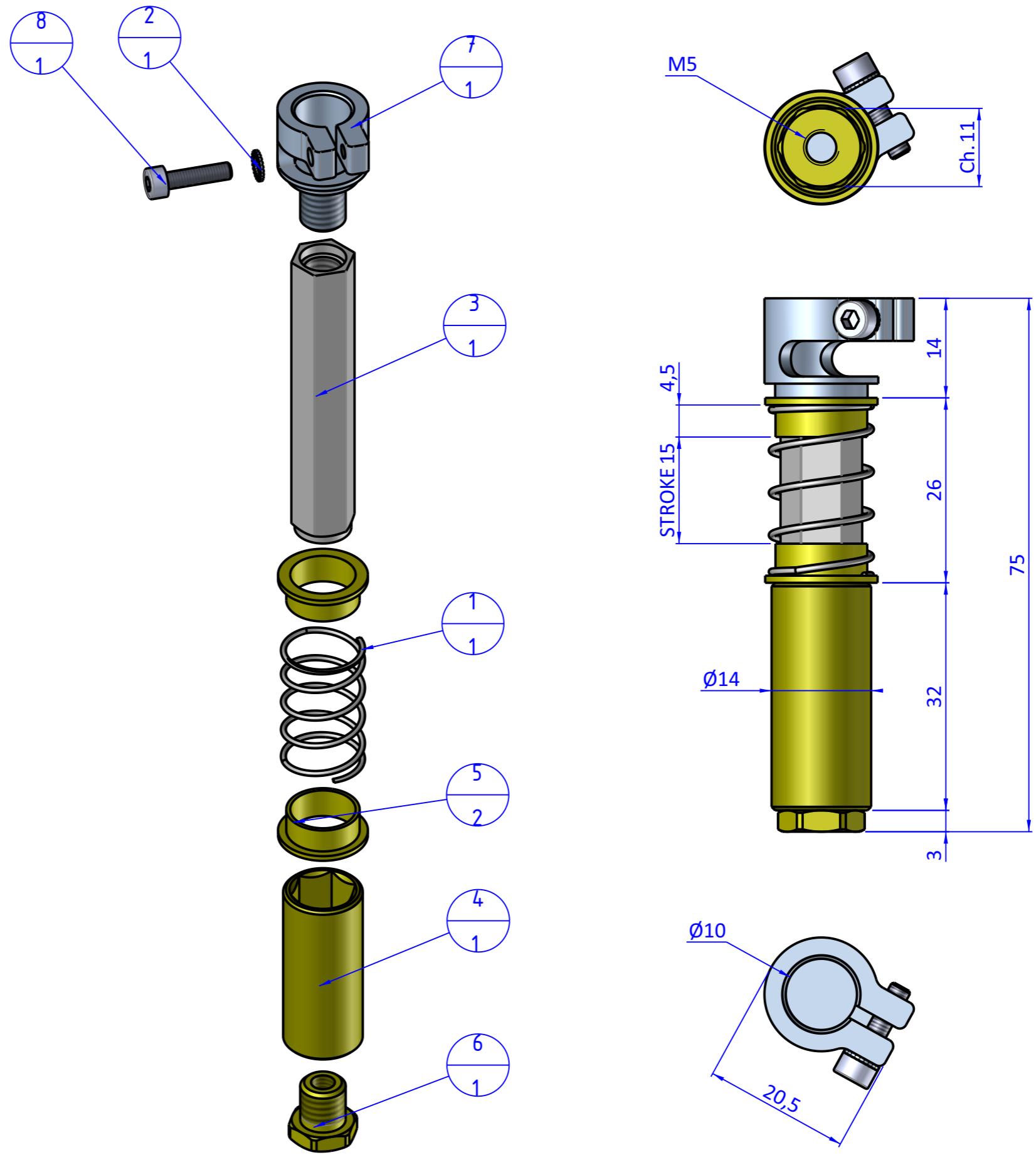

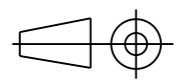


THE PROPERTY OF THE DRAWING IS ESTABLISHED BY LAW. IT IS FORBIDDEN TO PRODUCE OR SHOW IT TO THIRD PART. WITHOUT A WRITTEN AGREEMENT.

Item	Name	Q.ty
1	M.15x35	1
2	R.3.SCH	1
3	SAE.14181815.2	1
4	SAE.14181815.3	1
5	SAE.14181815.4	2
6	SAE.14181815.5	1
7	SMD.1410.01	1
8	V.TCE3x12	1



Format A3
UNI 936-76

 FPS FPSERVICES AUTOMATION			DESIGNED FROM FPS Automation	REVIEW A
GENERAL TOLERANCE UNI - ISO 2768 CLASSE f	DESCRIPTION SOSPENSIONE DRITTA LISCIA PER PINZA	DATE 17/10/2024	WEIGHT 0,039kg	CODE CA.SMD.141510